

# Product data sheet

## Characteristics

# QO2175

Mini circuit breaker, QO, 175A, 2 pole, 120/240 VAC, 10 kA, plug in mount



Price\*: 491.00 USD



### Main

Product or component type	Miniature circuit-breaker
Range of product	QO
Line Rated Current	175 A
[Ue] rated operational voltage	120/240 V AC 120 V AC
Mounting mode	Plug-in
Poles description	2P
Circuit breaker type	Standard
Circuit breaker application	HACR rated
Electrical connection	Box lugs

### Complementary

Breaking capacity	10 KA 120/240 V AC 50/60 Hz 10 KA 120 V AC 50/60 Hz
Number of spaces required	4
AWG gauge	AWG 1...300 kcmil copper or aluminium
Tightening torque	40.71 Lbf.In (4.6 N.m)
Height	3.5 In (88.90 mm)
Width	1.5 In (38.10 mm)
Depth	2.91 In (73.91 mm)

### Environment

Product certifications	UL Listed CSA
Ambient air temperature for operation	104 °F (40 °C)

## Ordering and shipping details

Category	00082-QO BREAKERS 150-200A
Discount Schedule	DE2A
GTIN	00785901430520
Nbr. of units in pkg.	1
Package weight(Lbs)	2.55 Lb(US) (1.157 kg)
Returnability	Yes
Country of origin	MX

## Packing Units

Unit Type of Package 1	PCE
Package 1 Height	4.80 In (12.192 cm)
Package 1 width	6.90 In (17.526 cm)
Package 1 Length	7.60 In (19.304 cm)

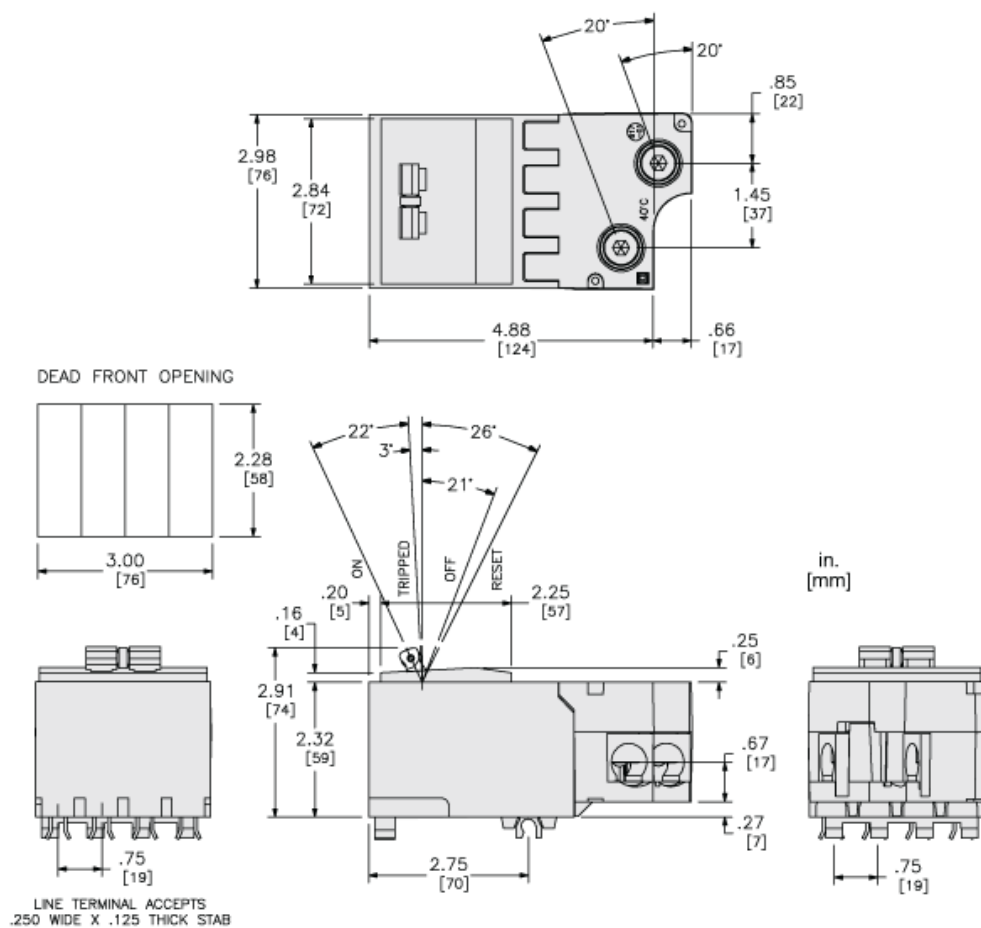
## Offer Sustainability

Sustainable offer status	Green Premium product
REACH Regulation	<a href="#">REACH Declaration</a>
REACH free of SVHC	Yes
EU RoHS Directive	Compliant <a href="#">EU RoHS Declaration</a>
Mercury free	Yes
RoHS exemption information	<a href="#">Yes</a>
China RoHS Regulation	<a href="#">China RoHS Declaration</a>
Environmental Disclosure	<a href="#">Product Environmental Profile</a>
Halogen content performance	Halogen free product

## Contractual warranty

Warranty	18 months
----------	-----------

Approximate Dimensions



Product Life Status : **Commercialised**